



Winterwarm XR Series

Winterwarm presents the Winterwarm XR-series: an indirect gas fired unit air heater incorporating a very modern design with compact measurements, which would look great in any environment. Of course the XR is provided with innovating technology as standard.



Winterwarm
heating solutions 

Characteristics Winterwarm XR series:

- Very compact
- Reduced weight
- Variable air distribution
- Modulating premix burner and fan
- SS-heat exchanger as standard
- Energy saving
- Simple to install
- Modern design

The Winterwarm XR: efficiency, energy saving and total comfort control through unique design characteristics. An indirect fired unit air heater with an innovative burner and heat exchanger combination, and of course provided with the latest control technology. The compact measurements and the high level of comfort make the XR suitable for many applications in all environments such as showrooms, retail stores, sports centers and even in restaurants, but also in the traditional industrial environments.

Heat on the right spot

One of the unique characteristics of the XR is that the heater can be suspended in any desirable position; horizontal, vertical or at any angle in between. Therefore easily directing the airflow in the direction required. When blowing out vertically,

the heater also functions as a destratification fan. Installation in difficult corners is no longer a problem: one simply turns the heater upside down.

Modulating burner and fan

The burner and the fan are both modulating (down to approx. 60%): the room is brought up to temperature at full load and consequently kept at the desired temperature on partial load. The energy consumption and the noise level are reduced to a minimum while the comfort level increases as there are fewer fluctuations in the room temperature.

Vertical gradient control

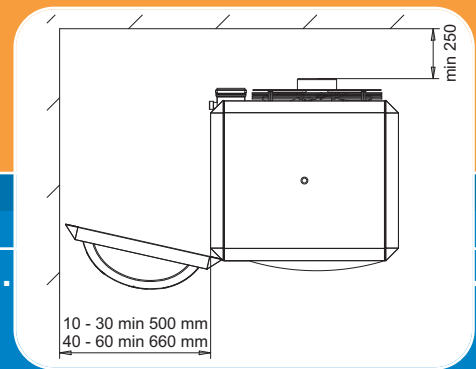
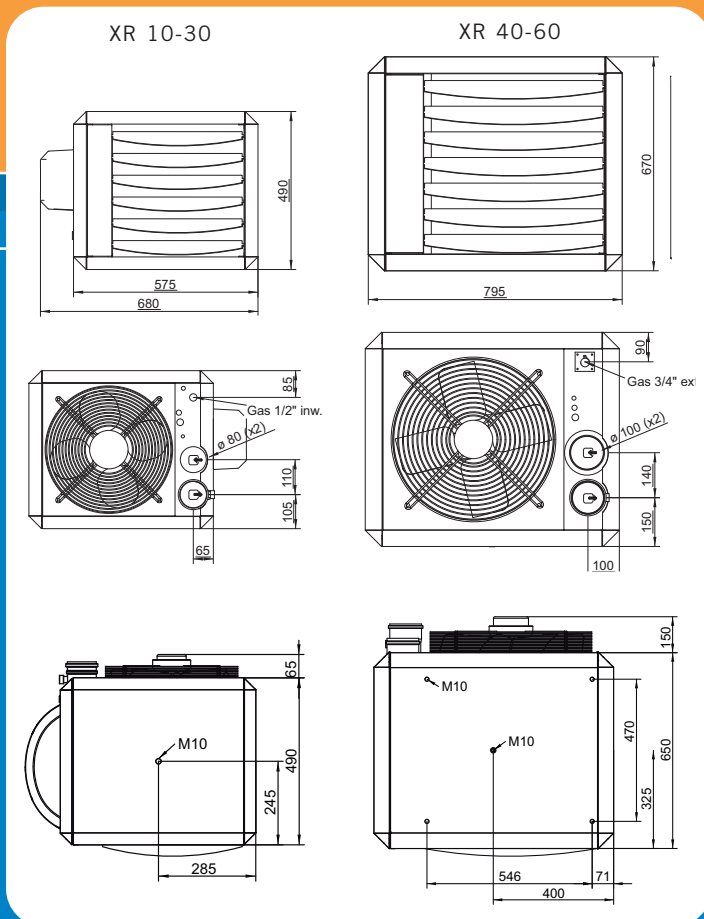
The XR series uses an advanced control system which increases the comfort even further. Two temperature sensors, one within the heater and one in the room, measure continuous-

ly the temperature gradient. Should the temperature gradient increase beyond the set value, the unit will switch on the fan and circulate the warm air. The gradient control in combination with the modulating burner and fan can realize energy savings up to 15% in comparison with conventional unit air heaters. Of course the XR is also provided with a summer ventilation possibility for continuous air circulation.

Suspension

Both XR-models (10-30 and 40-60) have 2 suspension possibilities:

- Bracket for horizontal or vertical air distribution, consisting of 3 U-sections, 2 of which are mounted to the heater and 1 to the wall or to the ceiling. Also available are extension pieces of 1 m. and clamps for mounting the bracket to a steel "H"-section.



Clamps for H-section



Controls

Especially for the XR-series Winterwarm has developed the MultiTherm thermostat. This thermostat optimizes the gradient control and the modulating burner and fan regulation. Both these regulations together realize optimal energy consumption. For the user, the operation of the thermostat is simple. The user can observe various information and make any necessary adjustments using the on screen prompts, or detect any recent failures.

The MultiTherm is available in 2 models: **Standard** and **Comfort** (with various programming possibilities).



MultiTherm S

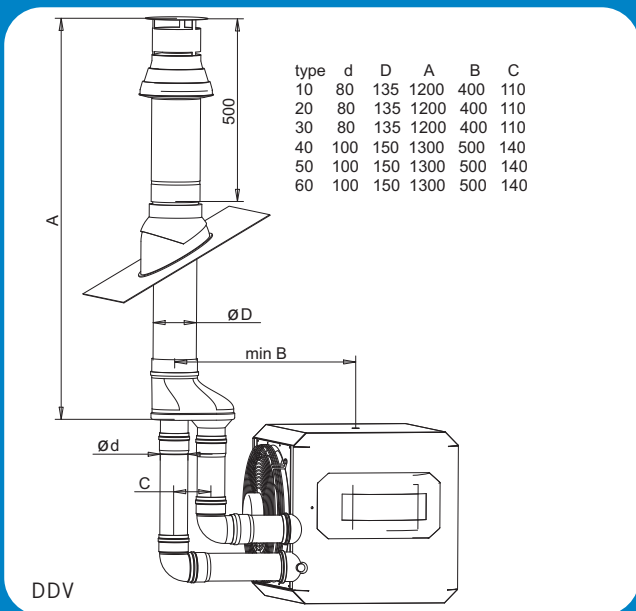


MultiTherm C

- Design bracket, this bracket can rotate in both the horizontal and vertical direction, consequently, the heater can blow in any desired direction. Suitable for mounting on a wall or ceiling (types XR 10-30).
- The XR 40-60 have 4 recessed suspension points in the corner for M10 threaded bar. This allows the heaters to be suspended in the conventional manner.

Features:

	MultiTherm S	MultiTherm C
7 day program		x
10 different on/off programs		x
Manual override		x
Summer/winter time		x
Modulates the heater according to the room temperature	x	x
Summer ventilation	x	x
Compensation wall influence	x	x
Keyboard locking		x
Frost protection	x	x
Failure diagnosis and reset per unit air heater	x	x
Wired in twisted pair screened cable	x	x
Controls 1-8 heaters	x	x



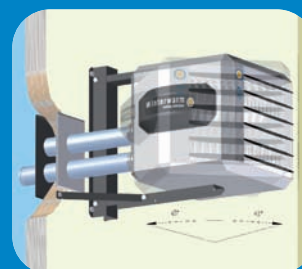
XR with U-profile bracket and DDV



XR on threaded bar and with MDV



XR with design bracket and DDV



XR with U-profile bracket and Easy Fix

Technical data

Description	unit	XR10	XR20	XR30	XR40	XR50	XR60
Nominal heat input max.	kW	14.0	22.8	32.0	44.0	55.0	66.0
Nominal heat input min.	kW	9.0	14.8	20.5	26.4	33.0	39.6
Nominal heat output max.	kW	12.8	20.8	29.2	40.2	49.9	60.5
Nominal heat output min.	kW	8.3	13.8	19.1	24.4	30.8	37.0
Air output max.	m ³ /hr	1150	2070	2600	4370	5150	6300
Throw horizontal max.	m	12	16	23	26	28	30
Throw vertical max.	m	5	5	6	7	8	11
Gas connection	G"	½ int.	½ int.	½ int.	¾ ext.	¾ ext.	¾ ext.
Min. Supply pressure G20 (H)	mbar	20	20	20	20	20	20
Max. Gasconsumption G20 (H)	m ³ /hr	1.5	2.4	3.4	4.7	5.8	7.0
Gascategory		I2H	I2H	I2H	I2H	I2H	I2H
Electrical supply	V	230	230	230	230	230	230
Power consumption max.	W	250	250	250	450	450	600
Noise level*	dB(A)	42	45	45	46	47	49
Minimum suspension height (horizontal air distribution)	m	1.7	1.7	1.7	2.7	2.7	2.7
Minimum suspension height (vertical air distribution)	m	4	4	4	5	6	6
Weight	kg	36	37	38	78	80	82
Dimensions flue terminal	mm	80	80	80	100	100	100

*) measured 4 m. in front of the heater

Winterwarm: leading

Winterwarm has been engaged in the development, production and sales of industrial heating in Europe since 1936. The company not only specialises in indirect fired unit air heaters, but also sells radiant tubes, rooftops, water heaters and destratification fans.



Winterwarm 
heating solutions

Winterwarm BV

Industrieweg 8 Winterswijk The Netherlands
P.O.Box 36 NL-7100 AA Winterswijk The Netherlands
Tel. +31 (0)543 54 63 00 Fax +31 (0)543 54 63 10
www.winterwarm.com info@winterwarm.nl

Winterwarm UK Ltd.

Unit H3, Taylor Business Park, Warrington Road,
Risley, Warrington, Cheshire WA3 6BL
Tel.+44 (0)192 57 65 799 Fax +44 (0)192 57 62 996
www.winterwarmuk.com enquiries@winterwarmuk.com

Famous Winterwarm quality

- 75 years of experience
- ISO 9001-2000 certified
- Quick delivery
- Reliable