



# REZNOR

---

## OUHA

Oil Fired Unit Heaters

---



ErP Lot 21  
Seasonal Efficiency and  
NOx compliant





# OUHA

## Oil Fired Unit Heaters

The OUHA range of oil fired unit heaters are suitable for a wide variety of commercial and industrial applications.

OUHA units are fitted with a high capacity axial fan for optimum air distribution. The OUHA 60 - 100 models are fitted with twin fans.

### Optional Equipment

The following options are available:

- > Combustion air adaptor
- > SmartCom MZ for two stage damper control

### Model Range

The OUHA Series oil fired heaters are available in five heat outputs ranging from 39kW to 103kW, for use on 35 sec oil with vertical flue spigot. Each unit is fitted with a two stage burner.

Alternatively, units may be specified for use with Kerosene (28 sec).

## Specification

### Heat Exchanger and Burner

The high efficiency heat exchanger is designed for both long operational life and to have minimal resistance to airflow through the unit.

### Cabinets

Cabinets are constructed from electro zinc coated steel panels, finished in epoxy polyester powder coated paint.

### Air Distribution

Powerful axial fans fitted on OUHA models provide optimum air distribution via horizontal outlet louvers.

### Safety Controls

To ensure safe automatic operation, each unit is fitted as standard with comprehensive safety controls and flame monitoring. To prevent against insufficient airflow a limit thermostat is fitted which shuts down the heater in the event of overheating.

### Features & Benefits

- > High thermal efficiency 91% (based on net calorific value) resulting in lower running costs
- > Space saving - all units can be either suspended or base mounted thereby freeing up floor space for production or storage requirements
- > Simple low installation costs
- > Riello burners bio-fuel compatible up to 10% blend

### Applications

- > Factories
- > Horticulture
- > Warehouses
- > Workshops
- > Showrooms

### Installation

Units may be suspended or alternatively mounted on a suitable non-combustible support. Four M10 suspension points are provided to each heater.

Each heater is supplied with a loose fire valve and oil filter. An additional oil fire valve should be installed external to the building where required in accordance with BS 5410:Part2:1978.

A single phase electrical supply is required to each unit. This supply should not be switched off except for maintenance.

An optional rear spigot connection can be provided when ducted combustion air to the burner is required.

Units must not be installed in atmospheres containing highly flammable or explosive vapours, combustible dust, halogenated hydrocarbons or chlorinated vapours. They are also unsuitable for areas where contaminants may affect electrical motors or connections.

### Controls

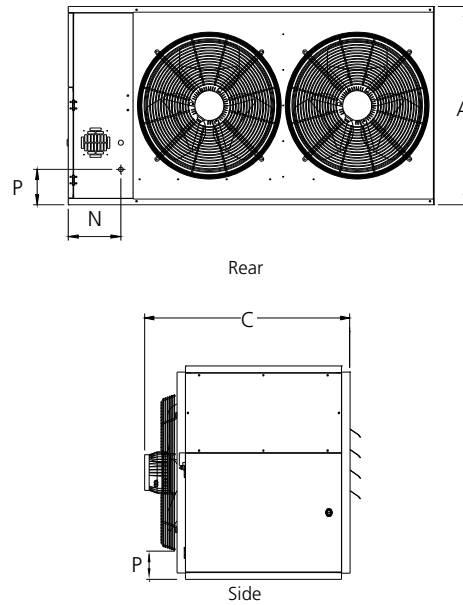
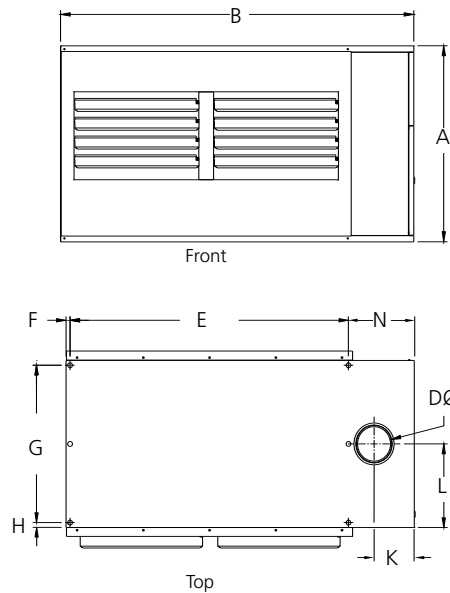
A combined fan and limit switch is fitted on all heaters. In the event of overheating the unit would automatically be shut down by the limit thermostat.

Technical Data						
		OUHA 40	OUHA 60	OUHA 70	OUHA 90	OUHA 100
Nominal heat output	kW	40	59	72	88	103
Airflow	m <sup>3</sup> /h	3672	5760	6840	8784	9468
Temperature rise	°C	32	30	31	30	32
Throw <sup>1</sup>	m	23	31	37	36	39
<b>Fuel Consumption</b>						
Fuel consumption (35 sec)	l/h	4.5	6.5	8.0	9.7	11.6
Fuel connection	Rc	3/8"	3/8"	3/8"	3/8"	3/8"
<b>Electrics</b>						
Supply	V/ph/hz	230/1/50	230/1/50	230/1/50	230/1/50	230/1/50
Electrics FLC	amps	1.6	2.8	2.8	3.4	3.4
Recommended mounting height <sup>2</sup>	m	2.0 - 4.0	2.4 - 5.0	2.4 - 4.5	2.4 - 5.0	2.4 - 5.0
Noise level <sup>3</sup>	dB(A)	65	68	69	71	72
<b>Net weight</b>	kg	116	177	177	240	240

1. Throw is dependent on mounting height, building height, room temperature and louvre settings.
2. Recommended height to underside of heater for standard horizontal discharge units. For buildings over 4 metres high, air re-circulation fans are recommended in conjunction with the heaters.
3. Noise levels measured at 3 metres from appliance

## Dimensions

	OUHA 40	OUHA 60	OUHA 70	OUHA 90	OUHA 100
A (unit height)	780	780	780	980	980
B (unit width)	1050	1475	1475	1750	1750
C (unit depth)	895	895	895	1025	1025
D (flue diameter)	125	150	150	175	175
E	755	1177	1177	1365	1365
F	17	17	17	17	17
G	640	640	640	770	770
H	20	20	20	20	20
K	183	170	170	231	231
L	340	340	340	405	405
N	212	212	212	300	300
P	139	139	139	219	219



Document reference number: GB/REZ/OUHA/003/0818

### NORTEK GLOBAL HVAC (UK) LTD

Fens Pool Avenue  
Brierley Hill  
West Midlands DY5 1QA  
United Kingdom

Tel: 01384 489 700  
01384 489 707

reznorsales@nortek.com  
www.reznor.eu



Registered in England No. 01390934 | Registered Office The Colmore Building, Colmore Circus Queensway Birmingham B4 6A

Nortek Global HVAC is a registered trademark of Nortek Global HVAC Limited. Because of continuous product innovation, Nortek Global HVAC reserves the right to change product specification without due notice.